

Product Datasheet

10-port 10/100M Smart PoE Switch

(ONV-H1108PSD)



OVERVIEW

The ONV-H1108PSD is a 10/100M smart PoE switch independently developed by ONV. It has 8*10/100Base-TX RJ45 ports and 2*10/100Base-TX uplink RJ45 ports. Port 1-8 can support PoE+ power supply, and single-port PoE power reaches 30W. The PoE port supports the watchdog function. When the port communication fails, the POE of the corresponding port will automatically restart, and the network communication will be restored by itself without affecting the normal operation of other ports, reducing manual intervention and maintenance costs. As a PoE power supply device, it can automatically detect and recognize the power-receiving equipment that meets the standard and supply power through the network cable. It can supply power to POE terminal equipment such as wireless AP, IP camera, VoIP phone, and building visual access control, intercom through a network cable, to meet the network environment that needs high-density PoE power supply, suitable for hotels, campuses, parks, supermarkets, scenic spots, factory quarters and SMB small and medium-sized enterprises form a cost-effective network. Unmanaged mode, plug, and play, no configuration, easy to use.

FEATURE

■ 10/100M access, Dual RJ45 port uplink

- ◇ Support non-blocking wire-speed forwarding.
- ◇ Support full-duplex based on IEEE802.3x and half-duplex based on Backpressure.
- ◇ 10*10/100Base-TX RJ45 ports allow users to flexibly network to meet the networking requirements of various scenarios.

■ Smart PoE power supply

- ◇ 8*10/100Base-TX RJ45 ports support PoE power to meet the needs of PoE power in various scenarios in the security field.
- ◇ Comply with PoE+ power standard, automatically identify PoE devices for power without damaging non-PoE devices, and the single port max PoE output power is 30W.
- ◇ The PoE port supports the watchdog function, which automatically detects the data communication status in real-time. When the port communication fails, the corresponding port PoE will automatically restart and repair the network communication by itself.

■ Innovative function

- ◇ **PoE watchdog:** The watchdog function is enabled by default for port 1 to 8, which can automatically detect the data communication status in real-time. When the port communication fails, the corresponding port PoE will automatically restart, and the network communication can be repaired by itself, eliminating manual maintenance costs.
- ◇ **Long-distance and VLAN mode (250m):** switch to ON position (default off), the port 1 to 8 rate is 10M, and the physical VLAN isolation function is turned on at the same time to suppress broadcast storms and improve network performance. Using the existing twisted pair can break through the 100 meters transmission limit, and the transmission distance can be up to 250 meters. At the same time, it can solve the problem of poor transmission caused by aging lines.

■ Stable and reliable, Easy to use

- ◇ CCC, CE, FCC, RoHS.

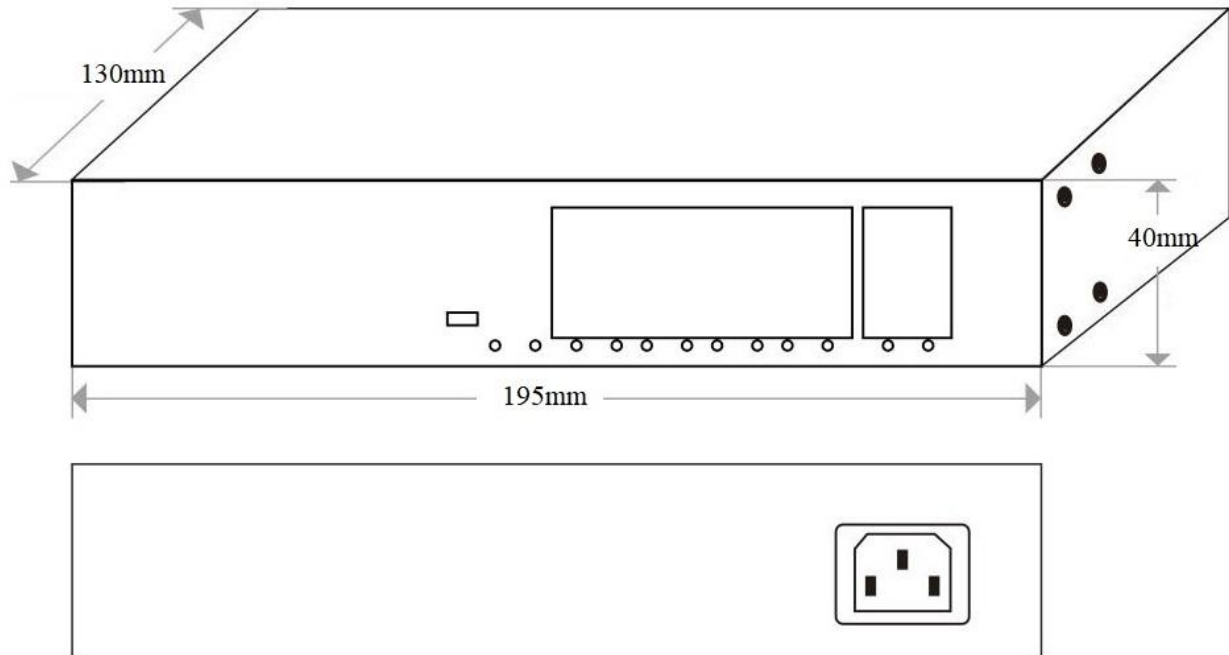
- ◇ Plug and play, no need for configuration, easy to use and maintain.
- ◇ The user-friendly panel can show the device status through the LED indicator of PWR, Link, and PoE.
- ◇ Low power consumption, no fan, galvanized steel shell, excellent heat dissipation to ensure stable operation of the equipment.

TECHNICAL SPECIFICATION

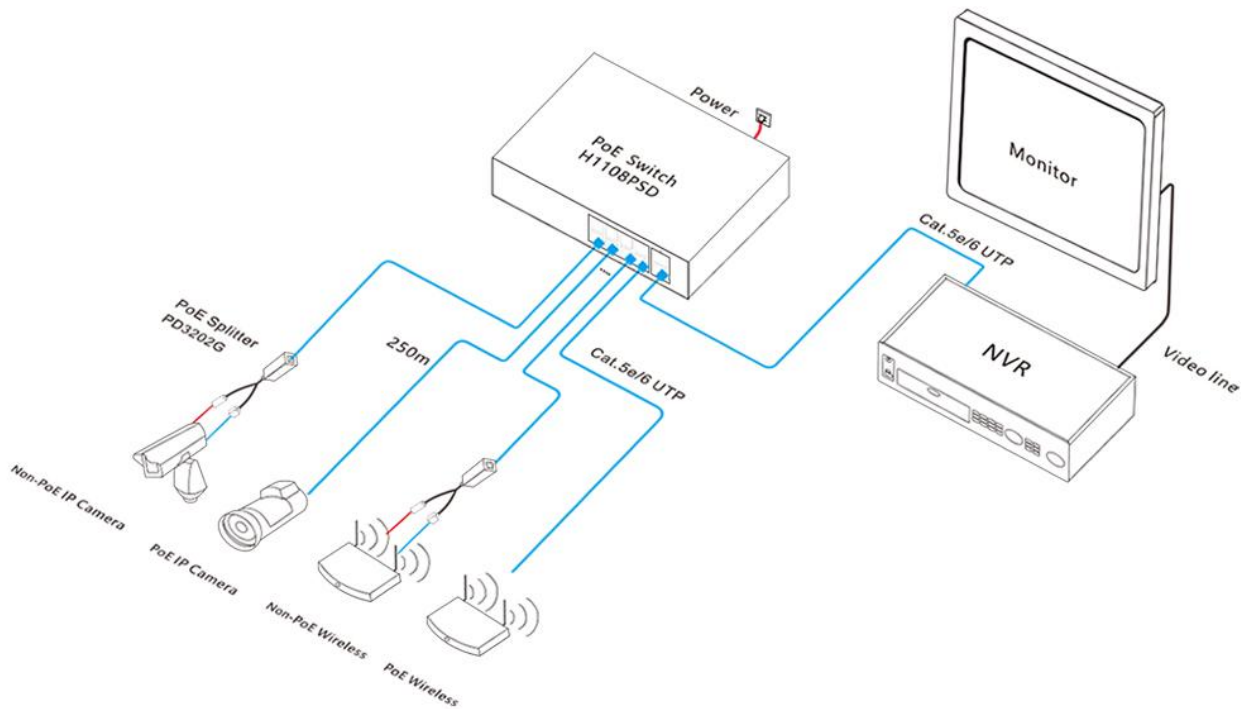
Model	ONV-H1064PSD	ONV-H1108PSD
Interface Characteristics		
Fixed Port	4*10/100Base-TX PoE ports (Data /Power) 2*10/100Base-TX uplink RJ45 ports (Data)	8*10/100Base-TX PoE ports (Data /Power) 2*10/100Base-TX uplink RJ45 ports (Data)
Ethernet Port	Port 1- 6/ 1-10 can support 10/100BaseTX auto-sensing, full/ half duplex MDI/ MDI-X self-adaption	
Twisted Pair Transmission	10BASE-T: Cat3,4,5 UTP (≤250 meters) 100BASE-TX: Cat5 or later UTP (≤100 meters)	
Functional Switch	250m : long-distance and VLAN isolation (Default: off, Use: on), After opening, port 1-4/ 1-8 support 10M/250m transmission	
Chip Parameter		
Network Protocol	IEEE802.3 10BASE-T, IEEE802.3i 10Base-T IEEE802.3u 100Base-TX, IEEE802.3x	
Forwarding Mode	Store and Forward(Full Wire Speed)	
Switching Capacity	1.6Gbps	2Gbps
Forwarding Rate@64byte	0.89Mpps	1.488Mpps
MAC	1K	2K
Buffer Memory	768K	1.25M

Jumbo Frame	1536byte	
LED Indicator	Power: PWR (Green), Functional switch: 100m/ 250m (Green) Network/ PoE: 1-6/ 1-10: (Green)	
PoE & Power Supply		
PoE Port	Port 1 to 4	Port 1 to 8
Power Supply Pin	1/2(+) 3/6(-)	
Max Power Per Port	30W, PoE+	
Total PWR / Input Voltage	65W (AC100-240V)	120W (AC100-240V)
Power Consumption	Standby<3W, Full load<65W	Standby<5W, Full load<120W
Power Supply	Built-in power supply, AC100-240V 50-60Hz, 1.0A	Built-in power supply, AC100-240V 50-60Hz, 2.2A
Physical Parameter		
Operation TEMP / Humidity	-20~+55°C, 5%~90% RH Non condensing	
Storage TEMP / Humidity	-40~+80°C, 5%~95% RH Non condensing	
Dimension (L*W*H)	142.5*115*40mm	195*130*40mm
Net /Gross Weight	0.55kg / 0.8kg	0.75kg / 1.0kg
Installation	Desktop, Wall mount	
Certification & Warranty		
Lightning Protection	Lightning protection: 4KV 8/20us, Protection level: IP30	
Certification	CCC, CE mark, commercial, CE/LVD EN62368-1, FCC Part 15 Class B, RoHS	
Warranty	1 year, lifelong maintenance.	

DIMENSION



APPLICATION



ORDERING INFORMATION

Model	Description	Built-in Power Supply
ONV-H1064PSD	Smart PoE switch with 6*10/100M RJ45 ports. Port 1-4 can support PoE+ power supply. PoE watchdog function is turned on by default, switch the functional switch (250m), port 1-4 support 10M/250m transmission and built-in power supply.	DC52V/65W
ONV-H1108PSD	Smart PoE switch with 10*10/100M RJ45 ports. Port 1-8 can support PoE+ power supply. PoE watchdog function is turned on by default, switch the functional switch (250m), port 1-8 support 10M/250m transmission and built-in power supply.	DC52V/120W

PACKING LIST

	Content	Qty	Unit
Packing List	10-port 10/100M smart PoE switch	1	SET
	AC Power Cable	1	PC
	User Guide	1	PC
	Warranty Card	1	PC

CONTACT US

ONV Optical Network Video Technologies (Shenzhen) Co., Ltd.

Tel: 0086-755-33376606

Fax: 0086-755-33376608

WeChat: ONV-PoE-IoT

Email: onv@onv.com.cn

Skype: onv@onv.com.cn

Website: www.onvcom.com

Headquarter Address: Room 1003, Block D, Terra Building, Futian District, Shenzhen, China

Factory Address: Floor 4-6, Building A, Senyutai Industrial Park, No. 111, Huaning Road, Xinshi Community, Dalang Street, Longhua District, Shenzhen, China

