

Product Datasheet

10-port 10/100Mbps PoE Switch

(ONV-H1108PL)

OVERVIEW

The ONV-H1108PL is a 10/100Mbps unmanaged PoE switch independently developed by ONV. It has 8*10/100M PoE ports and 2*10/100M uplink RJ45 ports, Port 1-8 can support IEEE802.3af/at standard PoE, single port PoE power up to 30W, and the maximum POE output power is 120W. As a PoE power supply device, it can automatically detect and recognize the power receiving equipment that meets the standard and supply power through the network cable. It can supply power to POE terminal equipment such as wireless AP, webcam, VoIP phone, video access control intercom, etc. through network cable to meet the network environment that needs high-density PoE power supply. It is suitable for hotels, campuses, factory quarters and small and medium-sized enterprises to form an economy. Efficient network.

Unmanaged model, plug and play, no configuration, easy to use.

FEATURE

■ 10/100Mbps access, Dual RJ45 port uplink

- ◇ Provides 8*10/100Base-TX RJ45 ports and 2*10/100Base-TX RJ45 ports for flexible networking and meets the networking requirements of various scenarios.
- ◇ All ports support non-blocking wire-speed forwarding for smoother transmission.
- ◇ Support IEEE 802.3x full-duplex flow control and Backpressure half-duplex flow control.

■ Intelligent PoE power supply

- ◇ 8*10/100Base-TX RJ45 ports, meeting the needs of security monitoring, teleconferencing system, wireless coverage, and other scenarios.
- ◇ IEEE802.3af/at PoE standard, without damaging non-PoE devices.
- ◇ Priority system for PoE port, it will supply power to the high priority level port first when the power budget is insufficient and avoid overwork of the device.

■ Innovative function

- ◇ Long distance mode: When opening, the speed of port 1-8 is reduced to 10M. With the existing twisted pair cable, the transmission limit of the twisted pair line can be broken, and the transmission distance can reach 250 meters; on the other hand, It can solve the problem of poor transmission caused by line aging.
- ◇ Video monitoring mode: When opening, Port 1-8 is isolated from each other but communicate with port 9-10 to prevent DHCP conflicts, optimize port cache utilization, and reduce broadcast storms.

■ Stable and reliable, easy to use

- ◇ CCC,CE, FCC, RoHS.
- ◇ Plug and play, no configuration, simple and convenient.
- ◇ Low power consumption, galvanized steel casing, no fan.
- ◇ The user-friendly panel can show the device status through the LED indicator of PWR, L/A, PoE.

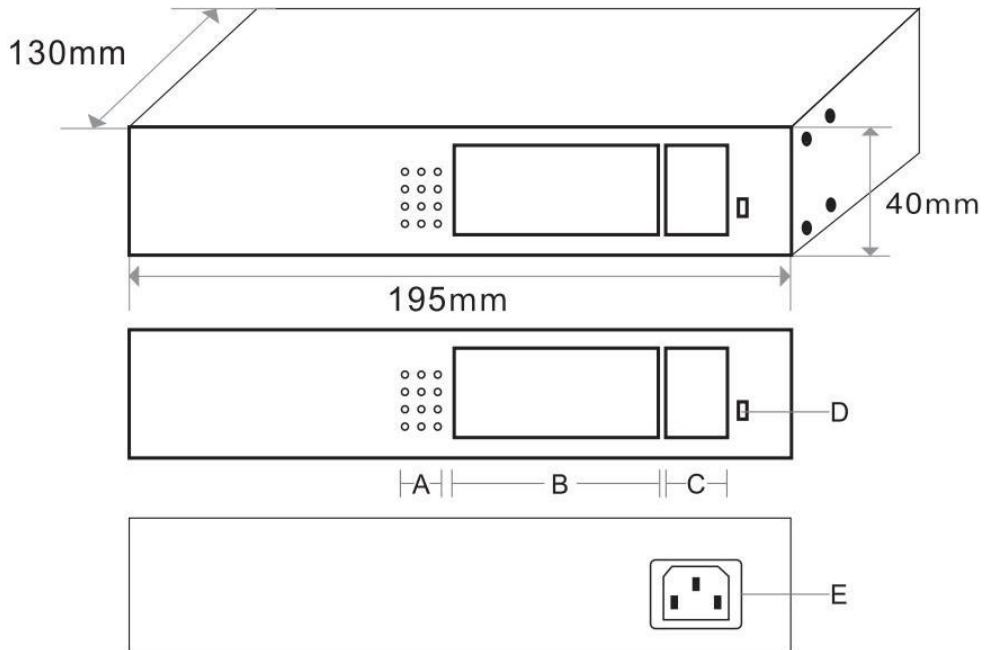
- ◇ Self-developed power supply, high redundancy design, providing a long term and stable PoE power output.

TECHNICAL SPECIFICATION

Model	ONV-H1064PL	ONV-H1108PL
Interface Characteristics		
Fixed Port	4*10/100Base-TX PoE ports (Data/Power) 2*10/100Base-TX uplink RJ45 ports (Data)	8*10/100Base-TX PoE ports (Data/Power) 2*10/100Base-TX uplink RJ45 ports (Data)
Ethernet Port	Port 1-6/1-10 can support 10/100Base-TX auto-detection, full/half-duplex MDI/MDI-X auto-sensing	
Functional Switch	1*(Extender+CCTV) Note: when the switch state changes, it must be restarted before the PoE switch function can take effect	
Twisted Pair Transmission	10BASE-TX: Cat5 or later UTP(≤250 meter) 100BASE-TX: Cat5 or later UTP(≤100 meter)	
Chip Parameter		
Network Protocol	IEEE802.3 10BASE-T, IEEE802.3i 10Base-T IEEE802.3u 100Base-TX, IEEE802.3x	
Forwarding Mode	Store and Forward(Full Wire Speed)	
Switching Capacity	1.6Gbps (Non-blocking)	2Gbps (Non-blocking)
Forwarding Rate@64byte	0.98Mpps	1.488Mpps
MAC	1K	
Buffer Memory	768K	
Jumbo Frame	9.6K	
LED Indicator	Power:PWR (Green), network : L/A(Yellow), PoE : PoE (Green)	

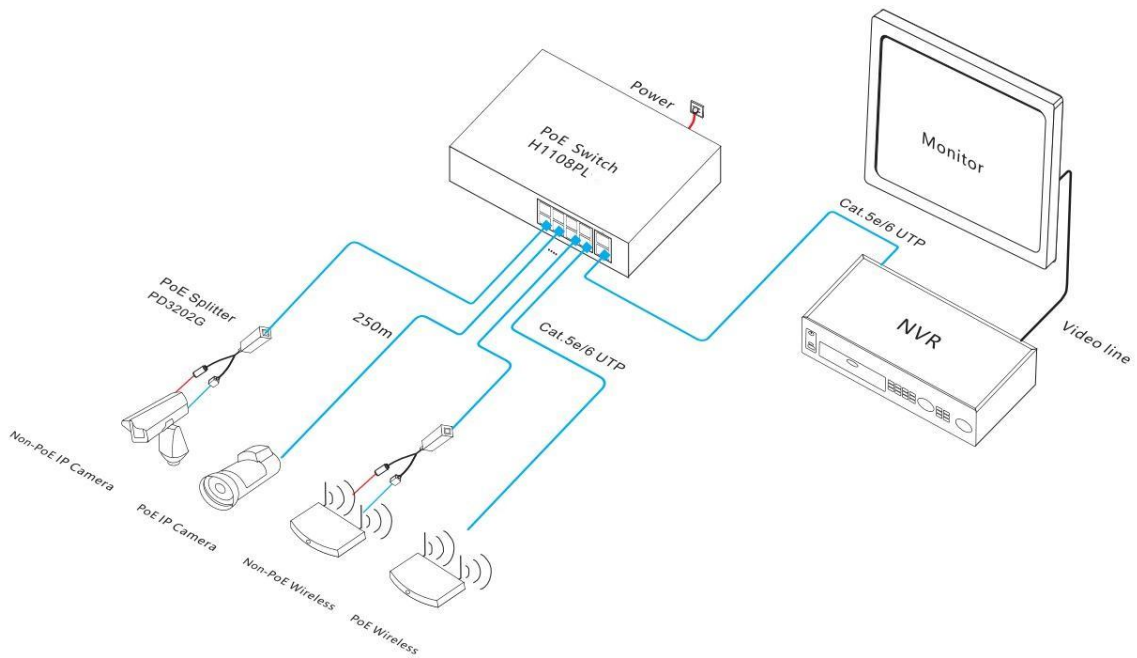
	Functional switch: EXTEND (Green)	
PoE & Power Supply		
PoE Port	Port 1 to 4	Port 1 to 8
Power Supply Pin	Default 1/2(+), 3/6(-)	
Max Power Per Port	30W, IEEE802.3af/at	
Total PWR / Input Voltage	65W/ (AC100-240V)	120W/ (AC100-240V)
Power Consumption	Standby<3W, Full load <65W	Standby <5W, Full load <120W
Power Supply	Built-in power supply, AC100~240V 50-60Hz 1A	Built-in power supply, AC100~240V 50-60Hz 2.2A
Physical Parameter		
Operation TEMP / Humidity	-20~+55°C;5%~90% RH Non condensing	
Storage TEMP / Humidity	-40~+75°C;5%~95% RH Non condensing	
Dimension (L*W*H)	140*115*40mm	195*130*40mm
Net /Gross Weight	<0.6kg / <1kg	<0.8kg / <1.2kg
Installation	Desktop, wall-mounted	
Certification & Warranty		
Lightning Protection / Protection Level	Lightning protection: 4KV 8/20us, Protection level: IP30	
Certification	CCC, CE mark, commercial, CE/LVD EN60950 FCC Part 15 Class B, RoHS	
Warranty	1 year, lifelong maintenance.	

DIMENSION



- A. Working indicate
- B. 8*10/100M PoE ports
- C. 2*10/100M RJ45 ports
- D. Functional switch
- E. Power input port(AC100-240V,50/60Hz)

APPLICATION



ORDERING INFORMATION

Model	Description
ONV-H1064PL	Unmanaged PoE switch with 4* 10/100M PoE ports and 2* 10/100M uplink RJ45 ports. Port 1-4 can support IEEE802.3af/at PoE standard. Adjust function switch, Port 1-4 can support VLAN isolation and 10M/250m transmission. Built-in 65W power supply.
ONV-H1108PL	Unmanaged PoE switch with 4* 10/100M PoE ports and 2* 10/100M uplink RJ45 ports. Port 1-8 can support IEEE802.3af/at PoE standard. Adjust function switch, Port 1-8 can support VLAN isolation and 10M/250m transmission. Built-in 120W power supply.

Note: The PoE switch is not included hanging ear by default and needs to be purchased separately.

PACKING LIST

	CONTENT	QTY	UNIT
PACKING LIST	10-port 10/100Mbps PoE switch	1	SET
	AC Power Cable	1	PC
	User Guide	1	PC
	Warranty Card	1	PC

CONTACT US



OPTICAL NETWORK VIDEO TECHNOLOGIES (SHENZHEN) CO., LTD.

Tel: 0086-755-33376606

Fax: 0086-755-33376608

Email: onv@onv.com.cn

Website: www.onvcom.com

Zip: 518000

Headquarter Address: Room 1003, Block D, Terra Building, Futian District, Shenzhen, China

Factory Address: The 4-6th Floor, No. 59, Huaning Road, Xinwei Community, Dalang Street,
Longhua District, Shenzhen, China

